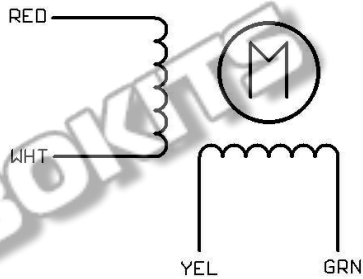


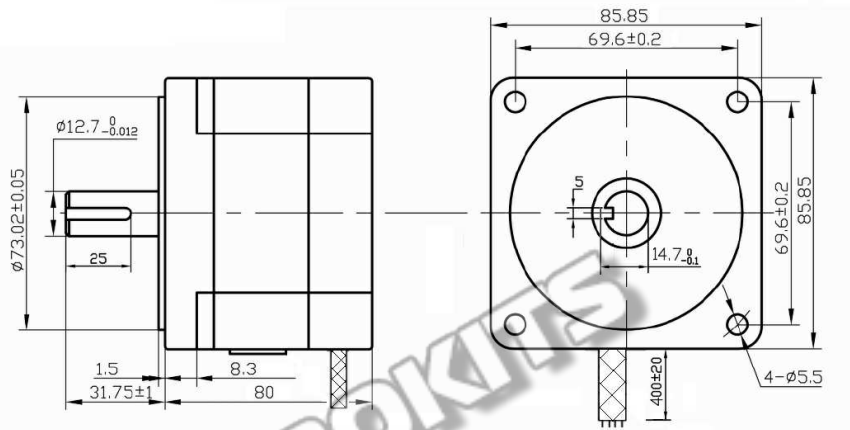
NEMA34 Stepper Motor (45Kgcm Torque) Specifications

General Specifications		Electrical Specifications	
Step Angle	1.8	Rated Voltage (V)	2.8
Temperature Rise (C)	80 Max	Rated Current (A)	1.68
Ambient Temperature (C)	-20 to +50	Resistance Per Phase (10%E)	0.87
Number of Phase	2	INDuctance Per Phase (20%MH)	7.3
Insulation Resistance (ME)	100 Min	Holding Torque (Kg.cm)	45
Insulation Class	Class B	Rotor Inertia (g.cm ²)	1400
Max. radial force (N)	220	Weight (Kg)	2.3
Max axial force (N)	60		

• Wiring Diagram



• Dimensions (Unit = mm)



All Dimensions are in mm

Rhino Motion Controls

RMCS - 1003

14-02-2014 16:44:31

Sheet: 1/1