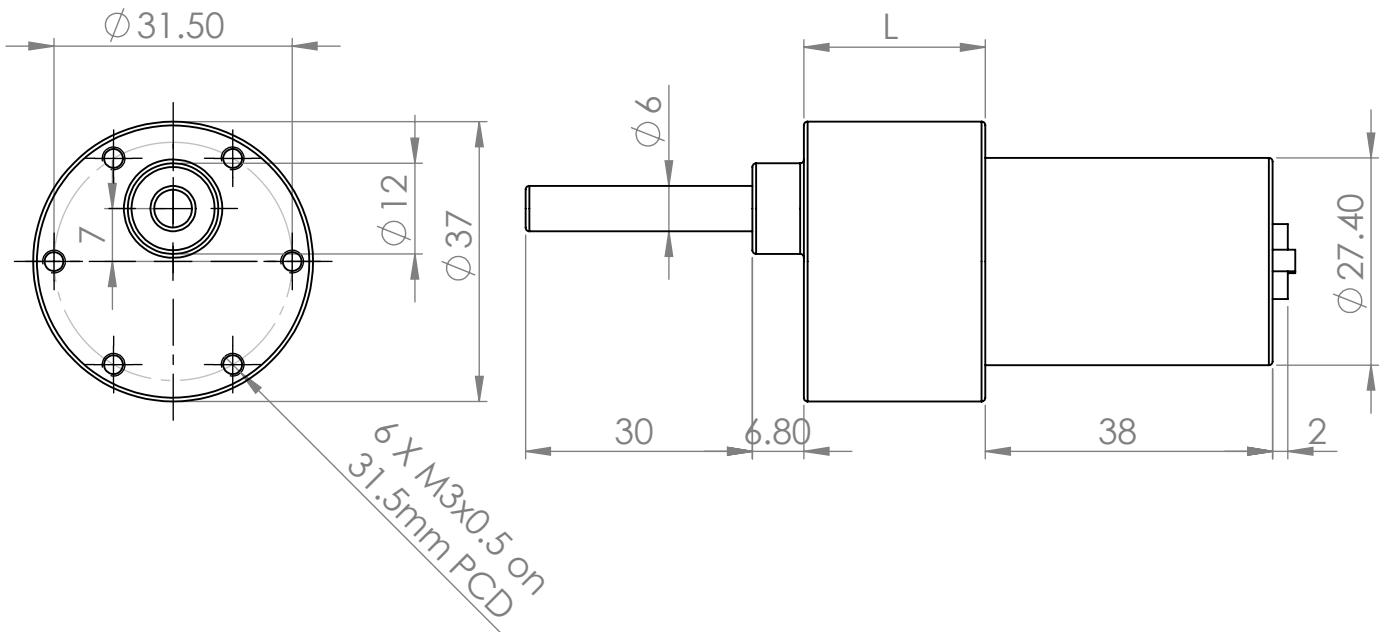


ROBOKITS INDIA
HIGH TORQUE DC GEARED MOTOR

10 RPM	L = 28.5mm
60 RPM	L=26.5mm
100 RPM	L=26.5mm
200 RPM	L=25mm
300 RPM	L=25mm
500 RPM	L=22mm
900 RPM	L=22mm



UNLESS OTHERWISE SPECIFIED:
DIMENSIONS ARE IN MILLIMETERS

TOLERANCES: + 0.3 mm

SCALE - 1:1

REVISION

	NAME	SIGNATURE	DATE		
DRAWN	ROBOKITS				
CHK'D					
APPV'D					
MFG					
Q.A				MATERIAL:	
				WEIGHT:	

TITLE: ROBOKITS HIGH TORQUE DC GEARED MOTOR 10 TO 900 RPM

DWG NO.

A4

SCALE:1:1

SHEET 1 OF 1