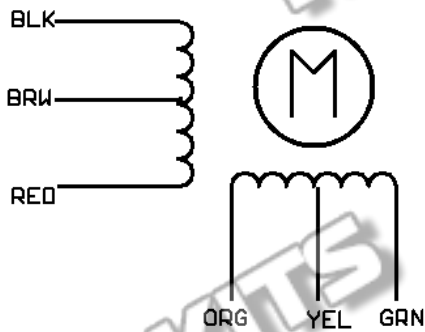


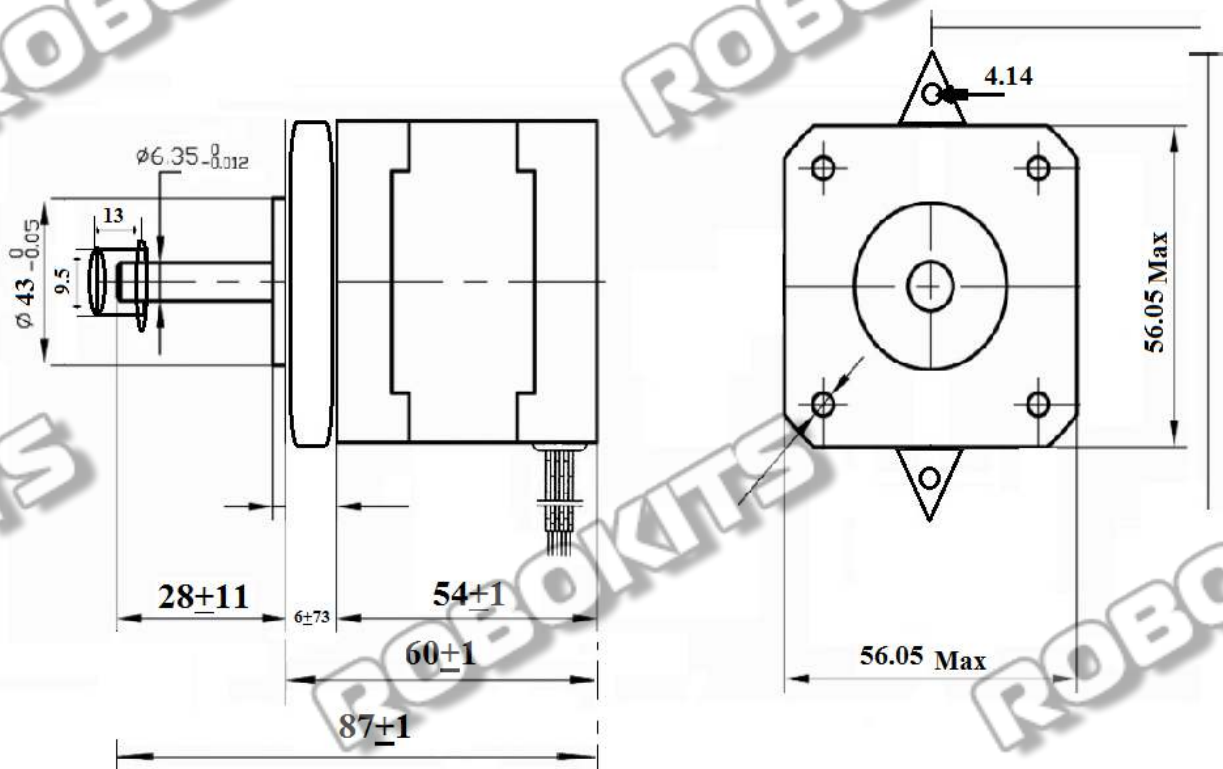
NEMA23 10Kgcm STEPPER MOTOR WITH PULLEY

General Specifications		Electrical Specifications	
Step Angle	1.8	Rated Voltage (V)	3.3
Temperature Rise (C)	80 Max	Rated Current (A)	2
Ambient Temperature (C)	-20 to +50	Resistance Per Phase (10%ohm)	1.65
Number of Phase	2	INDuctance Per Phase (20%mh)	2.2
Insulation Resistance	100 Min	Holding Torque (Kg.cm)	10
Insulation Class	Class B	Rotor Inertia (g.cm2)	275
		Weight (Kg)	0.74

Wiring Diagram



Dimensions



All Dimensions are in mm

RMCS -1014

01-09-16 PM 6:43:19

Rhino Motion Controls

Sheet: 1/1