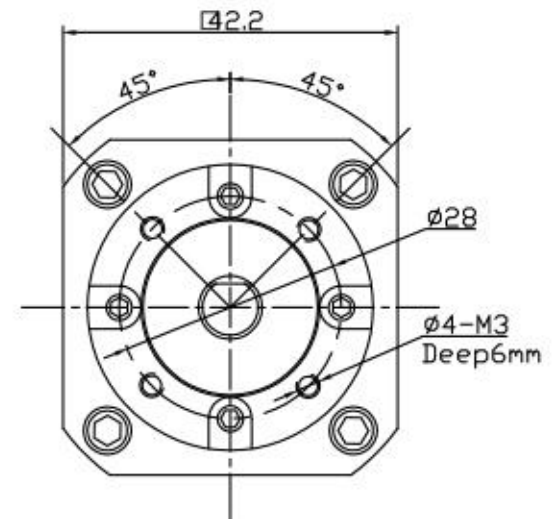
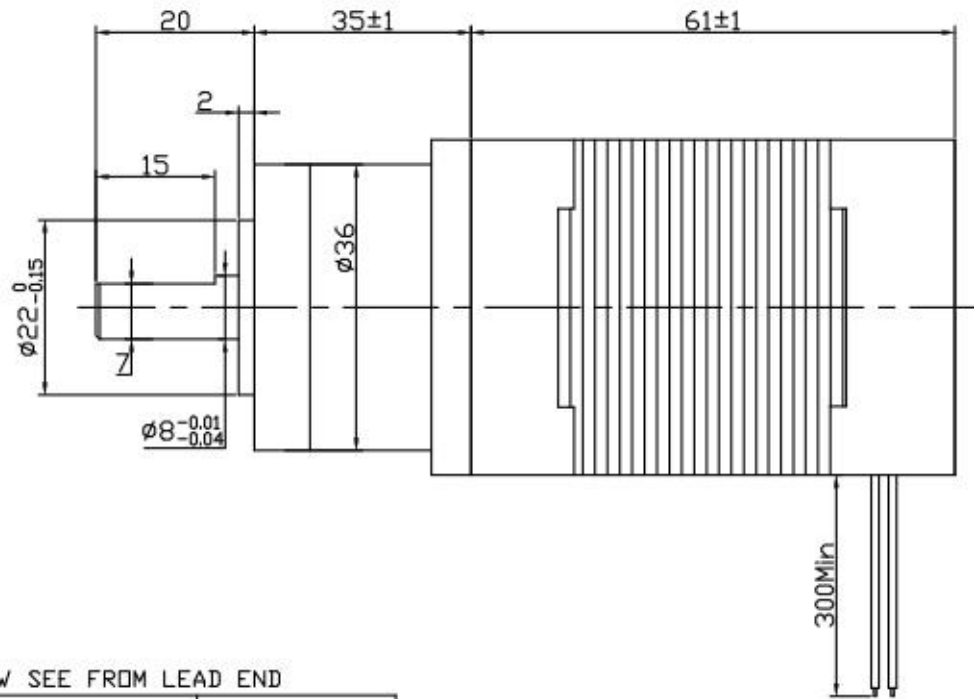


Dimension:  
Unit=mm

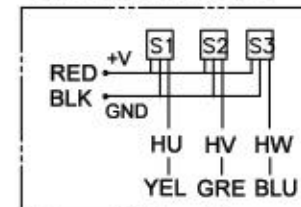


ROTATION: CW SEE FROM LEAD END

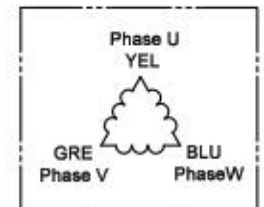
MANUFACTUER MODEL	RMCS-2021
NUMBER OF POLES	8
PHASE TO PHASERESISTANCE	0.73 OHMS
NOMINAL VOLTAGE	24 VDC
NO LOAD SPEED	5800±10% RPM
NO LOAD CURRENT	0.45 Amps Max.
RATED TORQUE	0.125 N-m
RATED SPEED	4000±10% RPM
OUTPUT POWER	52.5 W
BACK EMF CONSTANT	4.1 V/kRPM
TORQUE CONSTANT	0.04 N-m/A
INSULATION CLASS	B
MOTOR SPECIFICATIONS WITH PLANETARY GEAR	
RATED TORQUE	1.38 N-M
RATED SPEED	290±10% RPM
RATIO	1:13.76

ELECTRICAL CONNECTION TABLE			
+5V	RED	UL1007 26 AWG	
HALL U	YEL		
HALL V	GRE		
HALL W	BLU		
GND	GND	UL1007 20 AWG	
PHASE U	YEL		
PHASE V	GRE		
PHASE W	BLU		

Connection diagram:



Hall sensor cable  
Note: hall sensor power supply  
voltage +5 to +20VDC



Wiring cable