

# RHINO MOTION CONTROLS

RMCS-1101

Micro-Stepping Motor Driver  
(Max. 50Vdc and 5A per coil)



## Installation Manual and Datasheet

<http://www.rhinomc.com>  
<http://www.rhinomotioncontrols.com>

# RHINO MOTION CONTROLS

RMCS-1101

Micro-Stepping Motor Driver  
(Max. 50Vdc and 5A per coil)



## Key Features

- Smooth and quiet operation at all speeds and extremely low motor heating
- Industrial grade performance for 2-Phase Bipolar and Uni-polar Stepper Motors
- Input supply voltage from 18VDC to 50VDC
- Selectable peak coil current from 1A to 4.5A
- Selectable half-current during motor standstill to further reduce motor heating
- Selectable micro-steps up to 12800 steps per rotation for a 1.8deg stepper motor
- Higher motor torque and higher speeds achievable due to advanced loop control algorithm
- 2.5V, 3.3V and 5V compatible PULSE and DIRECTION inputs with 2-wire opto-isolated interface
- Short-circuit protection for the motor outputs, over-voltage and under-voltage protection
- LED indication for power and error states

## Description

Thank you for purchasing RMCS-1101, Stepper Motor Driver. RMCS-1101 is Rhino Motion Controls introductory micro-stepping drive designed for smooth and quiet operation without compromising on torque and control at higher speeds. It has short-circuit protection for the motor outputs, over-voltage and under-voltage protection and will survive accidental motor disconnects while powered-up.

The RMCS-1101 achieves micro-stepping using a synchronous PWM output drive and high precision current feedback and this is absolutely silent when the motor is stopped or turning slowly. It virtually eliminates stopped-motor heating regardless of power supply voltage.

The RMCS-1101's closed-loop control gains are calibrated on start-up based on motor characteristics and also adjusted dynamically while the motor is in motion. This control algorithm makes it capable of achieving better torque at higher speeds in comparison to comparable drives in its range.

The PULSE/STEP, DIRECTION inputs are optically isolated. Both inputs work with 2.5V, 3.3V or 5V logic drive signals. The input drive current is 5mA at 2.5V so almost all logic family (74LS, 74HC, etc.) can be used to drive these inputs. Each input provides individual anode and cathode connections to the opto-isolator allowing for multiple input drive interfaces.

The RMCS-1101 stepper motor drive is warranted to be free of manufacturing defects for six months from the date of purchase. Please see the section on service, support and warranty at the end of this document.

---

<http://www.rhinomc.com>

<http://www.rhinomotioncontrols.com>

Page 2

**Micro-Stepping Motor Driver [RMCS-1101]**

# RHINO MOTION CONTROLS

RMCS-1101

Micro-Stepping Motor Driver  
(Max. 50Vdc and 5A per coil)



## Technical Specifications

Specification	Min	Max	Units	Comments
Supply Voltage	18	50	Volts DC	Between +Ve and GND
Phase Current	1	4.5	Amps	As per switch selection table
Auto Current Reduction	50%	70%	—	Motor stand-still for more than 10ms
Power Dissipation	0	7	Watts	—
Short-Circuit Current	7	10	Amps	In case of motor terminal short
PUL and DIR Voltage	2.5	7	Volts DC	Between + and – input pins
Ambient Temp.	0	70	Celsius	
Humidity	0	95%		Non condensing
Step Frequency	—	100	kHz	
Direction Setup time	500	—	ns	Steps is clocked on positive edge

## Mechanical Specifications

Specification	Details
Dimensions (L * W * H)	120mm * 77mm * 32mm
Weight	350gms
Heat Sink	Anodized Aluminum 17fins and 3mm thickness
Mounting Screw Holes	3.6mm minimum diameter

## Caution

- Read this document carefully before installing and using you drive
- Inputs voltage to the drive must not exceed the maximum of 50VDC or it may damage the drive
- Reversing polarity power supplied to the drive will damage the drive or power supply
- Connecting the power supply wires to the terminals outputs of the motor coils will damage the drive
- Short-circuiting the motor terminals to +Ve power or to each other or to GND may damage the drive
- Excess humidity or condensation on the drive may damage the drive
- Voltage in excess of 7V between the PUL+ and PUL- or DIR+ and DIR- input terminals may damage the opto-isolators
- Reverse voltage in excess of 7V between the PUL- and PUL+ or DIR- and DIR+ input terminals may damage the opto-isolators
- Heat sink is designed to dissipate heat from the drive circuitry as long as the ambient temperature is less that 70 degrees Celsius. Ambient temperature in excess of that may damage the drive
- Do not un-plug the terminals of the motor while the drive is powered up and running

<http://www.rhinomc.com>

<http://www.rhinomotioncontrols.com>

Page 3

**Micro-Stepping Motor Driver [RMCS-1101]**

# RHINO MOTION CONTROLS

RMCS-1101

Micro-Stepping Motor Driver  
(Max. 50Vdc and 5A per coil)



## Power and Motor Terminal Assignments

Terminal No.	Terminal Name	Description
Terminal 1	GND	Power Ground or Power -Ve
Terminal 2	+V	Power +Ve (18VDC to 50VDC Max wrt. GND)
Terminal 3	A+	Motor Coil Phase A+
Terminal 4	A-	Motor Coil Phase A-
Terminal 5	B+	Motor Coil Phase B+
Terminal 6	B-	Motor Coil Phase B-

## Pulse and Direction Input Assignments

Terminal No.	Terminal Name	Description
Terminal 1	PUL+	Step or Pulse +Ve signal connected to anode of opto-isolator
Terminal 2	PUL-	Step or Pulse -Ve signal connected to cathode of opto-isolator
Terminal 3	DIR+	Direction +Ve signal connected to anode of opto-isolator
Terminal 4	DIR-	Direction -Ve signal connected to cathode of opto-isolator

## Switch Selection Table for Motor Coil Current Setting

Peak Current	SW6	SW7	SW8
1.00A	OFF	OFF	OFF
1.50A	OFF	OFF	ON
2.00A	OFF	ON	OFF
2.50A	OFF	ON	ON
3.00A	ON	OFF	OFF
3.50A	ON	OFF	ON
4.00A	ON	ON	OFF
4.50A	ON	ON	ON

Peak Current = RMS Current \* 1.4  
Switch in downward positions is ON

# RHINO MOTION CONTROLS

RMCS-1101

Micro-Stepping Motor Driver  
(Max. 50Vdc and 5A per coil)



## Switch Selection Table for Step Resolution Setting

Steps / Rev	SW1	SW2	SW3	SW4
400	OFF	OFF	OFF	OFF
640	OFF	OFF	OFF	ON
800	OFF	OFF	ON	OFF
1280	OFF	OFF	ON	ON
1600	OFF	ON	OFF	OFF
3200	OFF	ON	OFF	ON
6400	OFF	ON	ON	OFF
12800	OFF	ON	ON	ON
500	ON	OFF	OFF	OFF
625	ON	OFF	OFF	ON
1250	ON	OFF	ON	OFF
2500	ON	OFF	ON	ON
6250	ON	ON	OFF	OFF
12500	ON	ON	ON	OFF
Not Used (200)	ON	ON	ON	ON

Switch in downward positions is ON

SW5 ON - Half-Current during Stand-still

SW5 OFF - Full-Current during Stand-still

## Power Supply Selection

The general rule of thumb to get the most out of the motor is to drive it with a supply voltage that is at least 3 to 4 times its rated supply voltage. A DC regulated power supply with good low-ESR decoupling capacitors on its output is recommended for best performance of this drive.

## LED Status and Error Codes

There is a single LED on this drive for power and error status messages. In case the LED is blinking or flickering please check all connections and powered-down, wait for 5 seconds and then power-up the drive once again.

LED State	Message
LED ON and steady	Powered up and calibrated
LED Flickering randomly	Error in pulse and direction input signals
LED blinks 3 times	Low Supply voltage
LED blinks 4 times	Over-Voltage in Supply
LED blinks 5 times	Over-current due to motor terminal short

<http://www.rhinomc.com>

<http://www.rhinomotioncontrols.com>

Page 5

# RHINO MOTION CONTROLS

RMCS-1101

Micro-Stepping Motor Driver  
(Max. 50Vdc and 5A per coil)

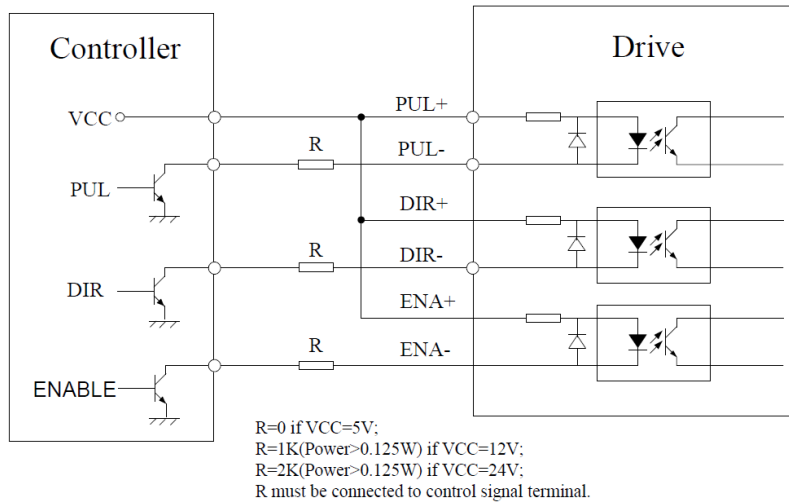


## Guide to General Problems

Problem Symptom	Possible Reasons and Solutions
Motor is not rotating	Drive is not powered up Motor is not connected properly to the drive Drive is in an error state, check LED status Pulse and Direction inputs are not connected properly or are not supplying enough current
Motor rotates in the wrong direction LED is blinking	Motor Phase connections may be reversed Check LED status messages in this document and check connections and voltages accordingly
Drive is not powering up (no LED)	Drive might be damaged due to incorrect installation or handling Check that the connectors to the drive are tightly plugged in Check the supply voltage is adequate and in correct polarity Drive might be damaged due to incorrect installation or handling
Erratic Motion on Motor	Power supply voltage not stable or regulated Motor Coil damaged or not connected to the drive correctly Current setting on the motor too high Control signals of Pulse or Direction are not connected properly or not supplying enough voltage and current Control signal interference due to power supply or environmental noise
Motor stalls during accelerating	Motor load is too high Acceleration is too high Current setting is too low of the Motor Power Supply is too low for Motor or Speed
Excessive Motor or Drive Heating	Current is set too high for the Motor Drive is damaged Power supply voltage is too high Not enough cooling or ventilation for motor or drive

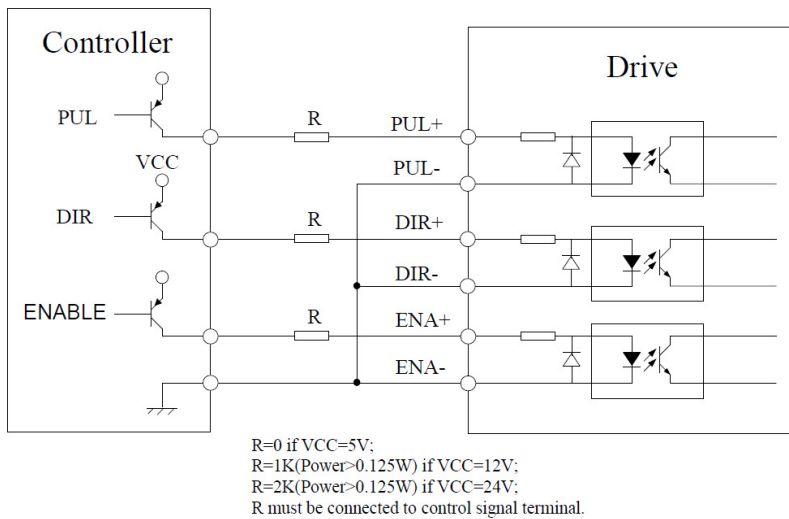
### Control Signal Connection NPN pull-down

In this connection technique all the signal +ve inputs are connected to a common high voltage VCC. The opto-isolators LED is turned-on by a pull-down on the -Ve terminals by an NPN-transistor output



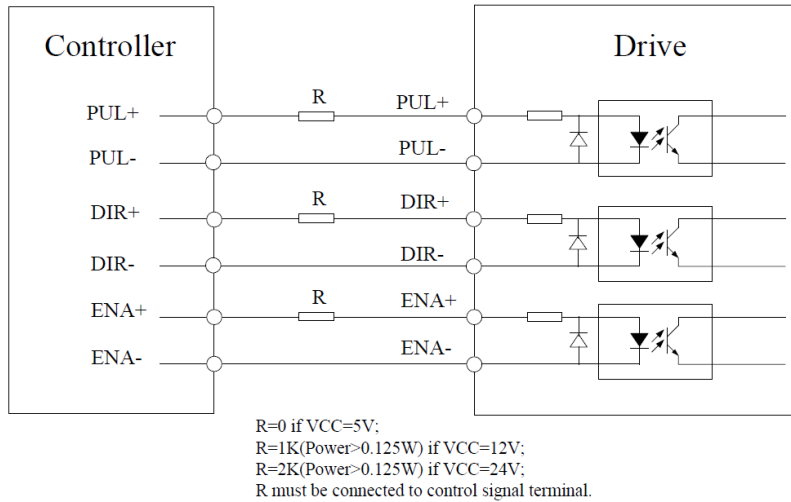
### Control Signal Connection PNP pull-up

In this connection technique all the signal -ve inputs are connected to a common low voltage GND. The opto-isolators LED is turned-on by a pull-up on the +Ve terminals by a PNP-transistor output



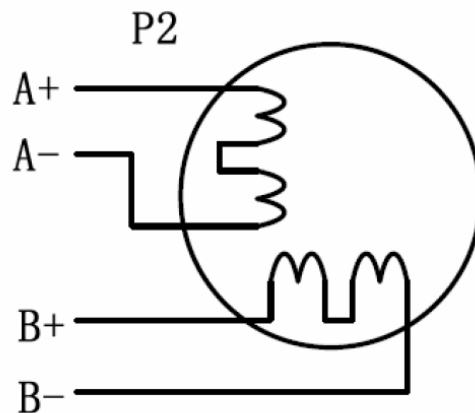
## Control Signal Connection Differential

In this connection technique each input is differential controlled and no necessity for a common voltage



## 2-phase, 4-lead Motors Connections

4 lead motors are the least flexible but easiest to wire. Speed and torque will depend on winding inductance. In setting the drive output current, multiply the specified phase current by 1.4 to determine the peak output current.



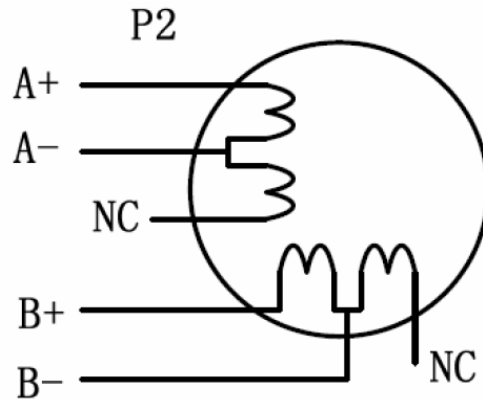
## 2 phase, 6-lead Motors Connections

Like 8 lead stepping motors, 6 lead motors have two configurations available for high speed or high torque operation. The higher speed configuration, or half coil, is so described because it uses one half of the motor's inductor windings. The higher torque configuration, or full coil, uses the full windings of the phases.



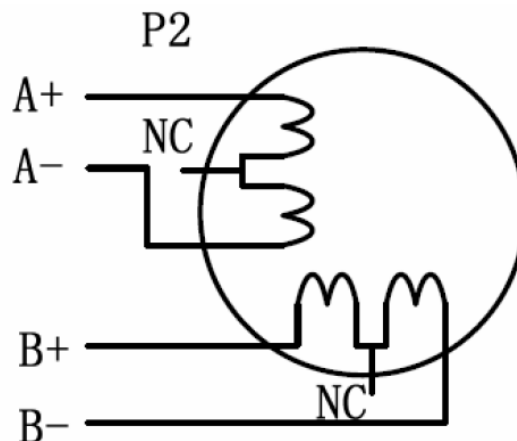
## Half Coil Configurations

As previously stated, the half coil configuration uses 50% of the motor phase windings. This gives lower inductance, hence, lower torque output. Like the parallel connection of 8 lead motor, the torque output will be more stable at higher speeds. This configuration is also referred to as half chopper. In setting the drive output current multiply the specified per phase (or uni-polar) current rating by 1.4 to determine the peak output current.



## Full Coil Configurations

The full coil configuration on a six lead motor should be used in applications where higher torque at lower speeds is desired. This configuration is also referred to as full copper. In full coil mode, the motors should be run at only 70% of their rated current to prevent over-heating.

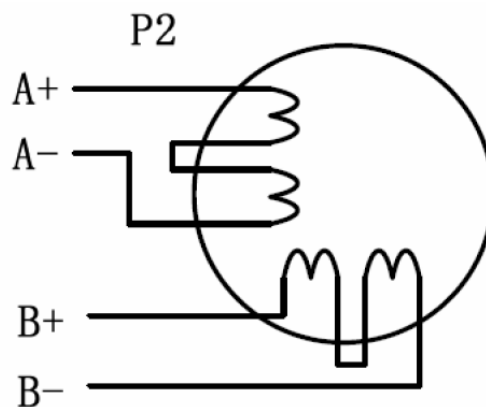


## 2 phase, 8-lead Motors Connections

8 lead motors offer a high degree of flexibility to the system designer in that they may be connected in series or parallel, thus satisfying a wide range of applications.

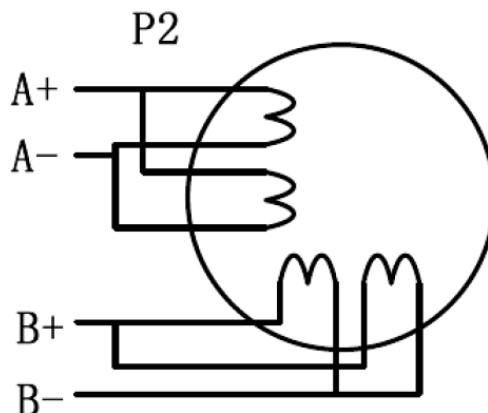
### Series Connections

A series motor configuration would typically be used in applications where a higher torque at lower speeds is required. Because this configuration has the most inductance, the performance will start to degrade at higher speeds. In series mode, the motors should also be run at only 70% of their rated current to prevent over-heating.



### Parallel Connections

An 8 lead motor in a parallel configuration offers a more stable, but lower torque at lower speeds. But because of the lower inductance, there will be higher torque at higher speeds. Multiply the per phase (or unipolar) current rating by 1.96, or the bipolar current rating by 1.4, to determine the peak output current.



# RHINO MOTION CONTROLS

RMCS-1101

Micro-Stepping Motor Driver  
(Max. 50Vdc and 5A per coil)



## Service and Support

Service and support for this product are available from the Rhino Motion Controls Web site (<http://www.rhinomc.com>) and our customer service email: [info@rhinomc.com](mailto:info@rhinomc.com)

## Six-Month Warranty

Rhino Motion Controls ([rhinomc.com](http://rhinomc.com)) warrants its products against defects in materials and workmanship for a period of 6 months from shipment delivery. During the warranty period, Rhino Motion Controls will either, at its option, repair or replace products which proved to be defective.

## Exclusions

The above warranty does not extend to any product damaged by reasons of improper or inadequate handlings by customer, improper or inadequate customer wirings, unauthorized modification or misuse, or operation beyond the electrical specifications of the product and/or operation beyond environmental specifications for the product.

## Obtaining Warranty Service

To obtain warranty service, please contact our customer service department at [info@rhinomc.com](mailto:info@rhinomc.com) before returning product for service. Please make sure that you have gone through this entire installation manual and datasheet before deciding that your product is liable for replacement or repair under this 6-month warranty. Customer shall prepay shipping charges for products returned to Rhino Motion Controls for warranty service, and Rhino Motion Controls shall pay for return of products to customer.

## Warranty Limitations

Rhino Motion Controls makes no other warranty, either expressed or implied, with respect to the product. Rhino Motion Controls specifically disclaims the implied warranties of merchantability and fitness for a particular purpose. Some jurisdictions do not allow limitations on how long and implied warranty lasts, so the above limitation or exclusion may not apply to you. However, any implied warranty of merchantability or fitness is limited to the 6-month duration of this written warranty.

## Disclaimer

Copyright © Rhino Motion Controls, 2012

Neither the whole nor any part of the information contained in, or the product described in this manual, may be adapted or reproduced in any material or electronic form without the prior written consent of the copyright holder.

This product and its documentation are supplied on an as-is basis and no warranty as to their suitability for any particular purpose is either made or implied.

This document provides preliminary information that may be subject to change without notice.

---

<http://www.rhinomc.com>  
<http://www.rhinomotioncontrols.com>

Page 11

**Micro-Stepping Motor Driver [RMCS-1101]**