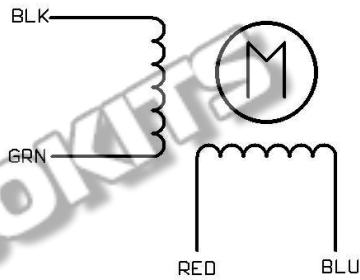


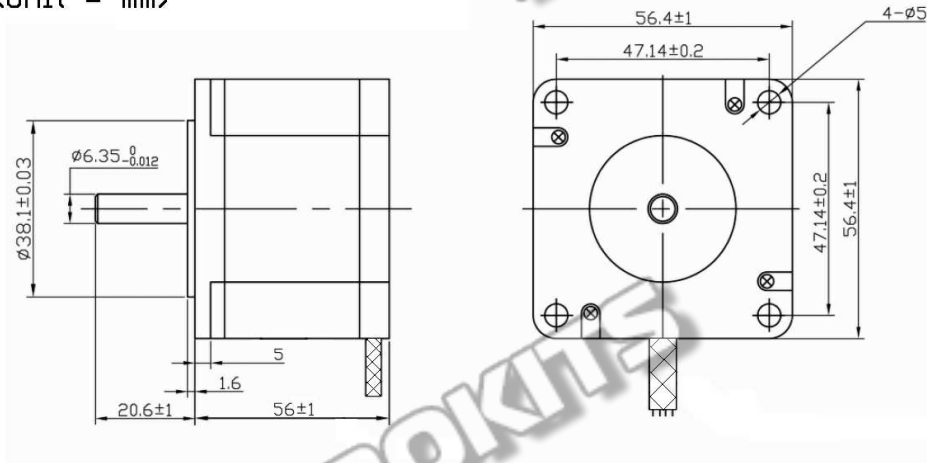
## NEMA23 Stepper Motor (10Kgcm Torque) Specifications

General Specifications		Electrical Specifications	
Step Angle	1.8	Rated Voltage (V)	3.3
Temperature Rise (C)	80 Max	Rated Current (A)	2
Ambient Temperature (C)	-20 to +50	Resistance Per Phase (10%E)	1.65
Number of Phase	2	INDuctance Per Phase (20%MH)	2.2
Insulation Resistance (ME)	100 Min	Holding Torque (Kg.cm)	10.2
Insulation Class	Class B	Detent Torque (g.cm)	360
Max. radial force (N)	75	Rotor Inertia (g.cm <sup>2</sup> )	275
Max axial force (N)	15	Weight (Kg)	0.65

### • Wiring Diagram



### • Dimensions (Unit = mm)



All Dimensions are in mm

Rhino Motion Controls

RMCS - 1001

15-02-2014 11:40:13

Sheet: 1/1