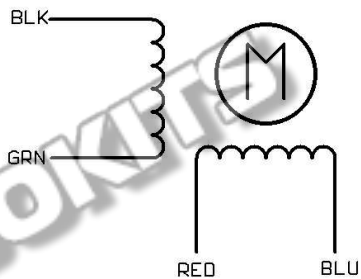


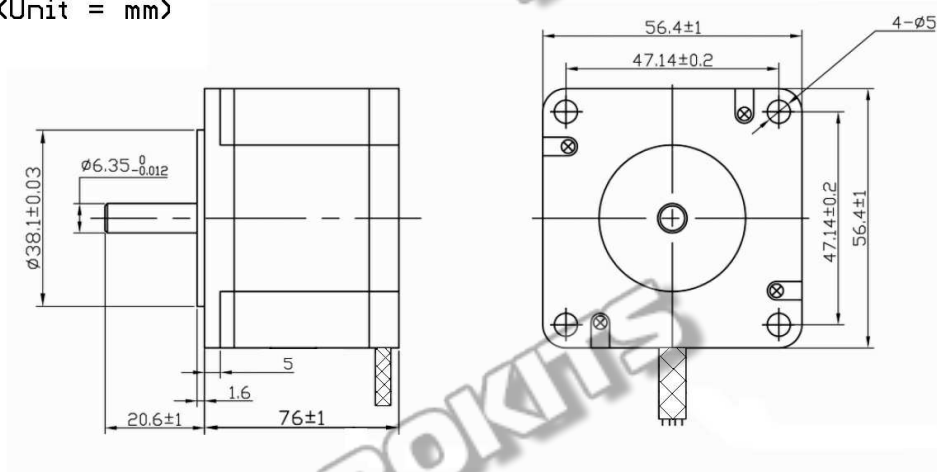
## NEMA23 Stepper Motor (19Kgcm Torque) Specifications

General Specifications		Electrical Specifications	
Step Angle	1.8	Rated Voltage (V)	3.2
Temperature Rise (C)	80 Max	Rated Current (A)	2.8
Ambient Temperature (C)	-20 to +50	Resistance Per Phase (10%E)	1.13
Number of Phase	2	INDuctance Per Phase (20%MH)	5.6
Insulation Resistance (ME)	100 Min	Holding Torque (Kg.cm)	19
Insulation Class	Class B	Detent Torque (g.cm)	0.68
Max. radial force (N)	75	Rotor Inertia (g.cm <sup>2</sup> )	480
Max axial force (N)	15	Weight (Kg)	1.03

### • Wiring Diagram



### • Dimensions (Unit = mm)



All Dimensions are in mm

Rhino Motion Controls

RMCS - 1002

14-02-2014 16:32:54

Sheet: 1/1