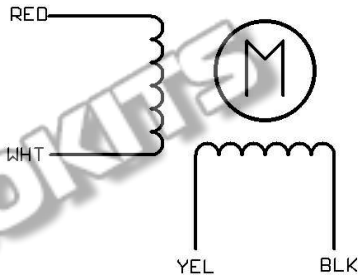


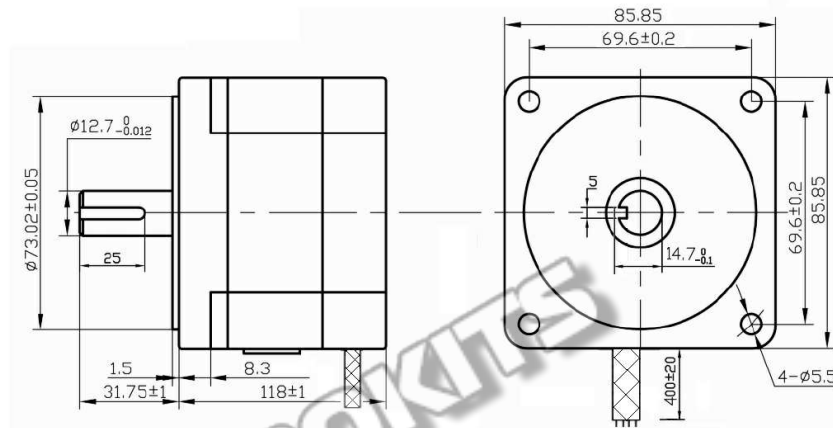
NEMA34 Stepper Motor (85Kgcm Torque) Specifications

General Specifications		Electrical Specifications	
Step Angle	1.8	Rated Voltage (V)	3.78
Temperature Rise (C)	80 Max	Rated Current (A)	5
Ambient Temperature (C)	-20 to +50	Resistance Per Phase (10%E)	0.76
Number of Phase	2	INDuctance Per Phase (20%MH)	8.5
Insulation Resistance (ME)	100 Min	Holding Torque (Kg.cm)	85
Insulation Class	Class B	Detent Torque (N.m)	0.24
Max. radial force (N)	220	Rotor Inertia (g.cm ²)	2700
Max axial force (N)	60	Weight (Kg)	3.8

• Wiring Diagram



• Dimensions (Unit = mm)



All Dimensions are in mm

Rhino Motion Controls

RMCS - 1004

14-02-2014 16:52:22

Sheet: 1/1