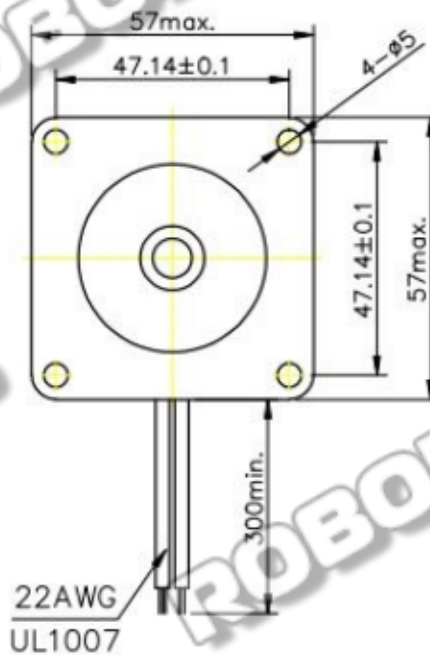
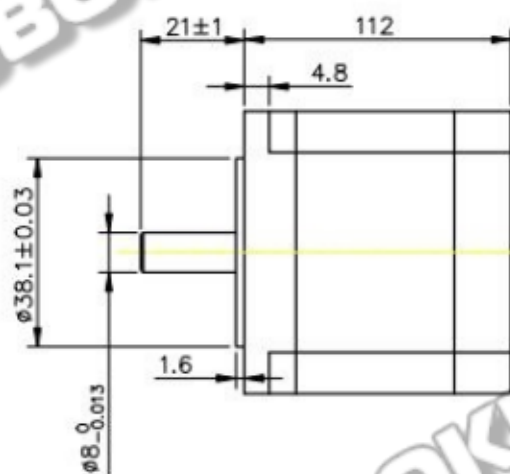
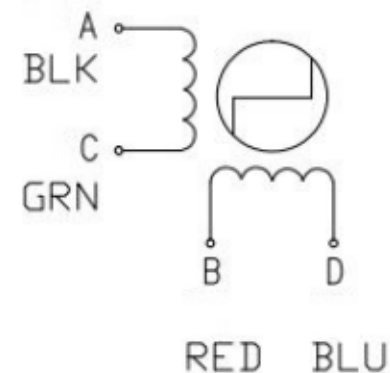


Dimension:
Unit=mm



Wiring
Diagram:



Specifications:

Phase	2		Comment
Step Angle	1.8	deg.	
Voltage	4.8	V	
Current	3	A	
Resistance	1.670%	Ω	
Inductance	6.8 ± 10%	mH	
Holding Torque	28	kg.cm	
Insulation Class	B		
Mass	1.5	kg	