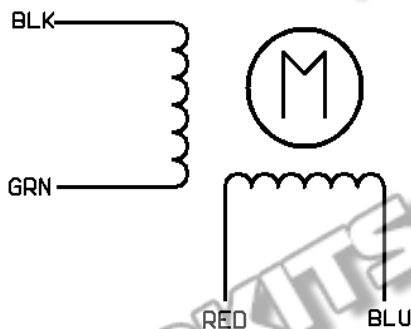


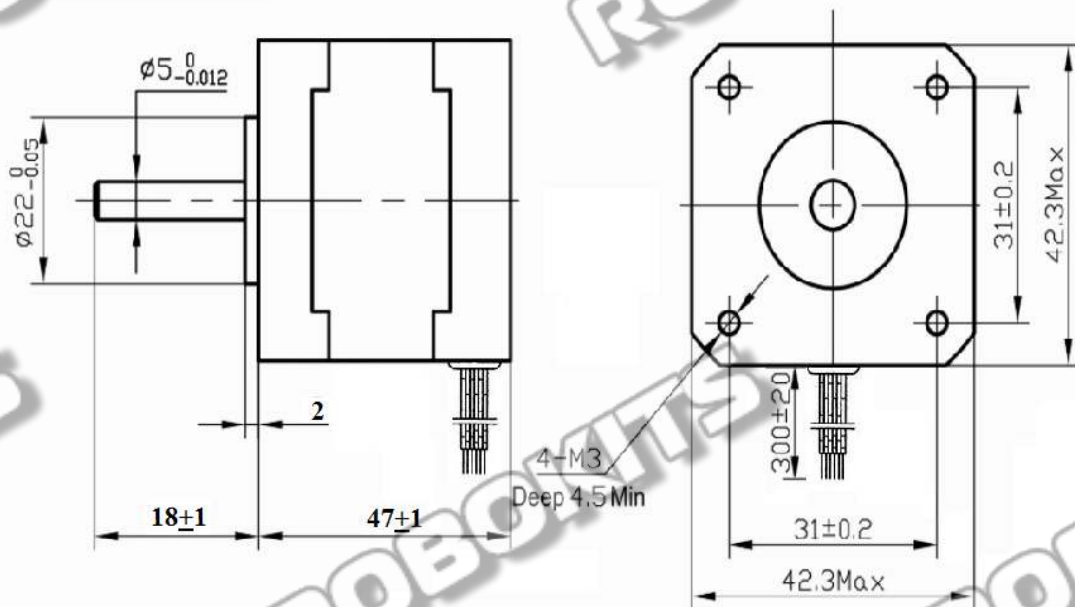
# NEMA17 Stepper Motor (4.4Kgcm Torque) Specifications

General Specifications		Electrical Specifications	
Step Angle	1.8	Rated Voltage (V)	2.8
Temperature Rise (C)	80 Max	Rated Current (A)	1.68
Ambient Temperature (C)	-20 to +50	Resistance Per Phase (10%E)	1.65
Number of Phase	2	Inductance Per Phase (20%MH)	2.8
Insulation Resistance (ME)	100	Holding Torque (Kg.cm)	4.4
Insulation Class	Class B	Weight (Kg)	0.35

## Wiring Diagram



## Dimensions (Unit = mm)



All Dimensions are in mm

RMCS -1012

Rhino Motion Controls

09-08-16 PM 1:00:30

Sheet: 1/1