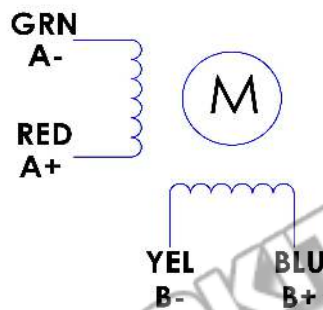


- Hybrid 2-Phase Stepper Servo Motor w/1000PPR Encoder

General Specification		Electrical Specification	
Step Angle	1.8	Rated Voltage (v)	3.2
Number Of Phase	2	Rated Current (A)	4.2
Shaft Diameter (mm)	14	Resistance Per Phase (E)	0.44
Encoder Resolution (CPR)	1000	Inducance Per Phase (mH)	4.4
Insulation Class	Class B	Holding Torque (Kg.cm)	70
Lenth (mm)	165	Defend Torque (g.cm)	2500
Weight (gram)	3300	Rotor Inertia (g.cm2)	2700

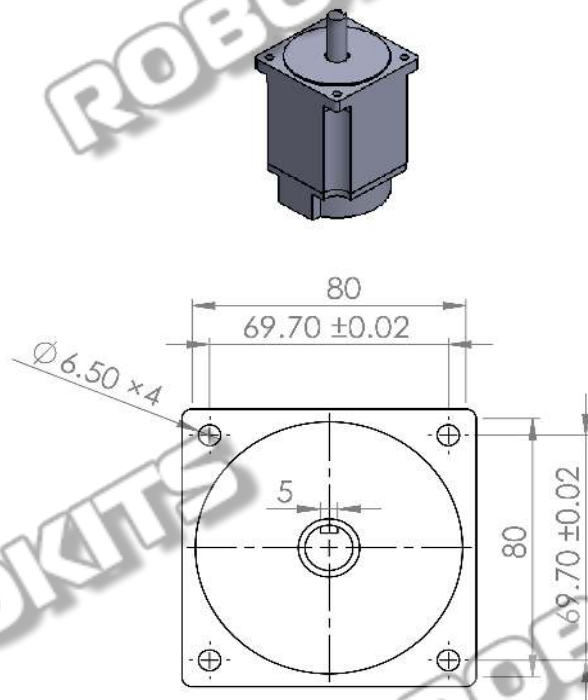
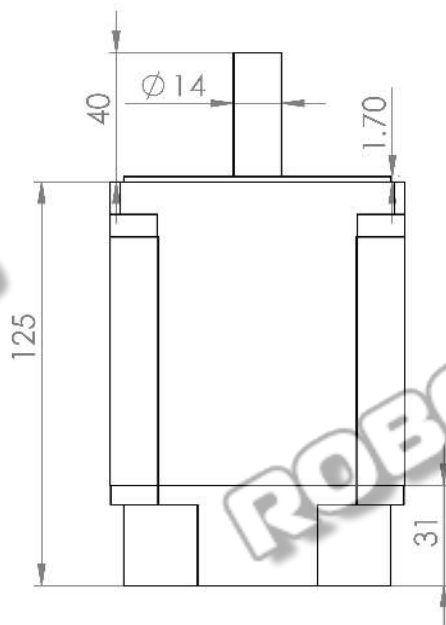
- Wiring Diagram



- Encoder Pin-Outs (DB9)

DB9 Pin No	Description	Wire Colour
1	0V	Black
2	+5V	Red
3	A-	Green
4	A+	Yellow
5	B-	White
6	B+	Blue

- Dimension (Unit mm)



All Dimensions are in mm	
Rhino Motion Controls	RMCS - 1052