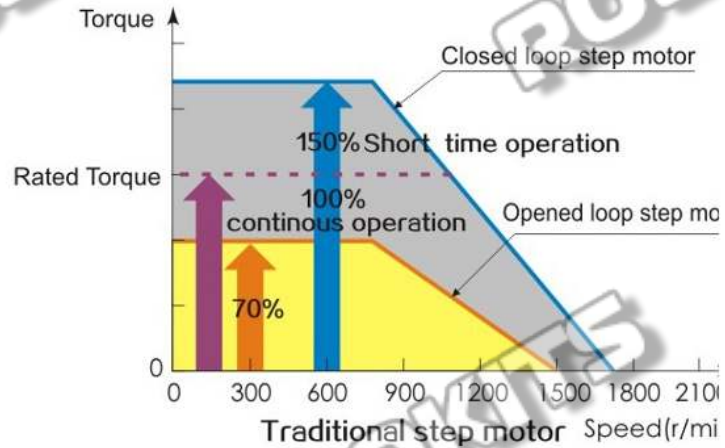


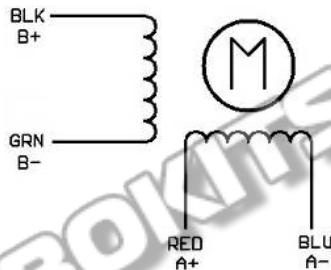
Hybrid 2-Phase Stepper Servo Motor W/1000PPR Encoder

General Specifications		Electrical Specifications	
Step Angle	1.8	Rated Voltage (V)	3.2
Number of Phase	2	Rated Current (A)	2.8
Shaft Diameter (mm)	8	Resistance Per Phase (E)	0.4
Encoder Resolution (CPR)	1000	Inductance Per Phase (mH)	1.2
Insulation Class	Class B	Holding Torque (Kg.cm)	10
Length (mm)	54	Detent Torque (g.cm)	100
Weight (Gms)	700	Rotor Inertia (g.cm ²)	280

Speed→Torque Graph



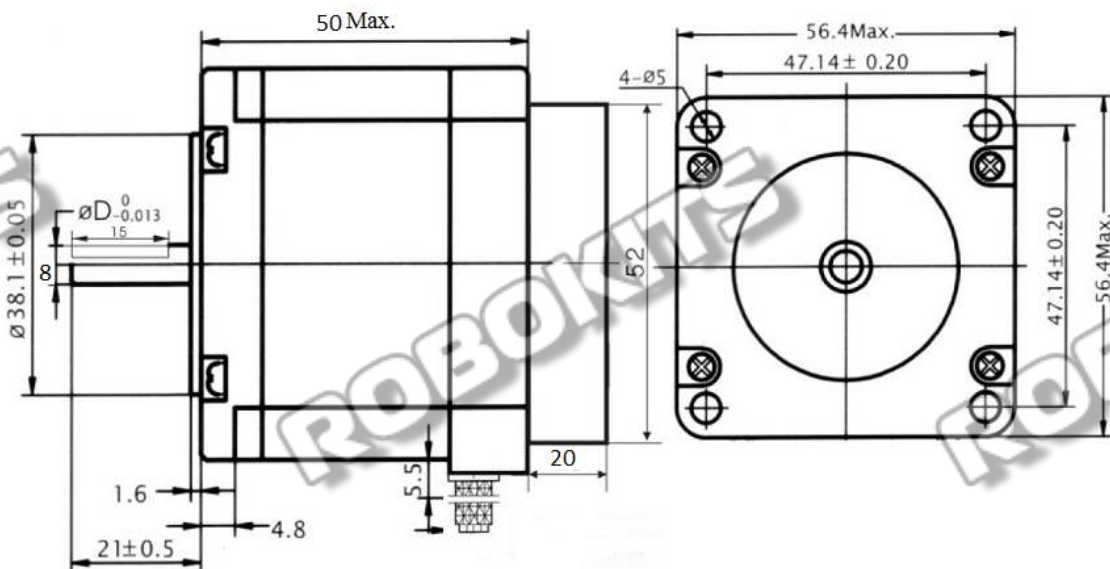
Wiring Diagram



Encoder Pin-Outs (DB9)

DB9 Pin No	Description	Wire Colour
1	0V	Black
2	+5V	Red
3	A+	Yellow
4	A-	Green
5	B+	Blue
6	B-	White

Dimensions (Unit = mm)



All Dimensions are in mm

Rhino Motion Controls

RMCS - 1054

14-03-16 PM 1:17:38

Sheet: 1/1