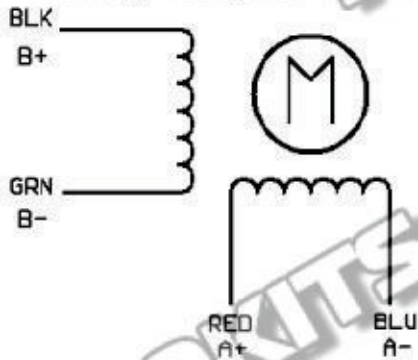


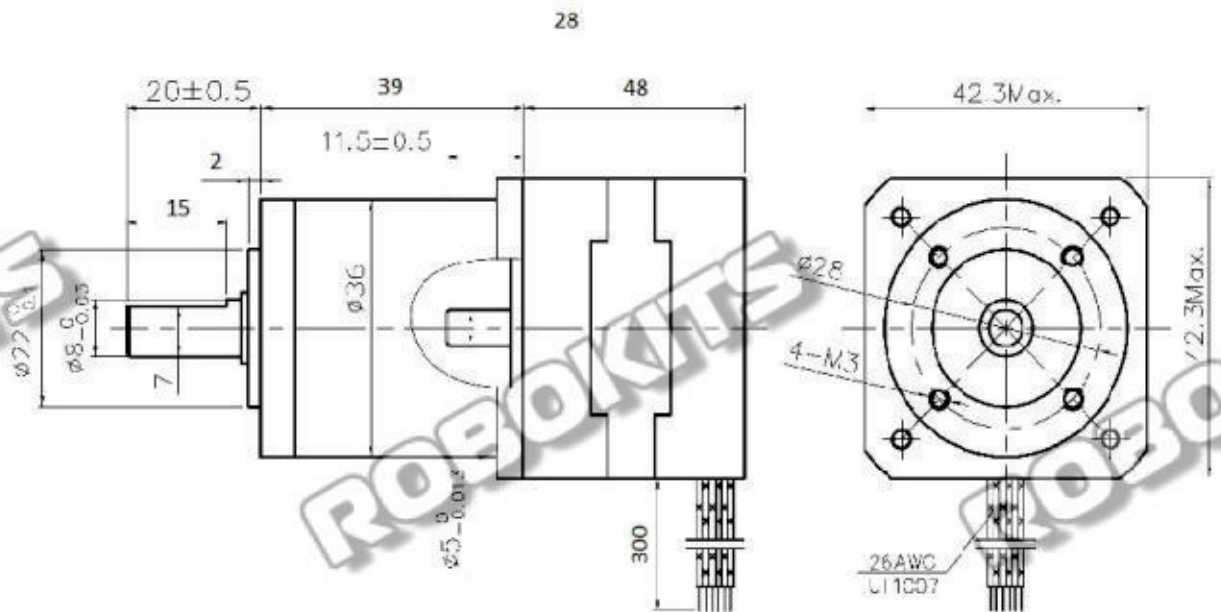
# Planetary Geared Stepper Motor 60Kgcm

General Specifications		Electrical Specifications	
Step Angle	1.8	Rated Voltage (V)	2.8
Number of Phase	2	Rated Current (A)	1.68
Shaft Diameter (mm)	8	Resistance Per Phase (Ω)	1.65
Insulation Class	Class B	Inductance Per Phase (mH)	2.3
Length (mm)	84	Holding Torque (Kg.cm)	60
Weight (Gms)	564	Gear Ratio	1:19

## Wiring Diagram



## Dimensions (Unit = mm)



All Dimensions are in mm

Rhino Motion Controls

RMCS - 2008

10-07-2017 AM 10:05:24

Sheet: 1/1