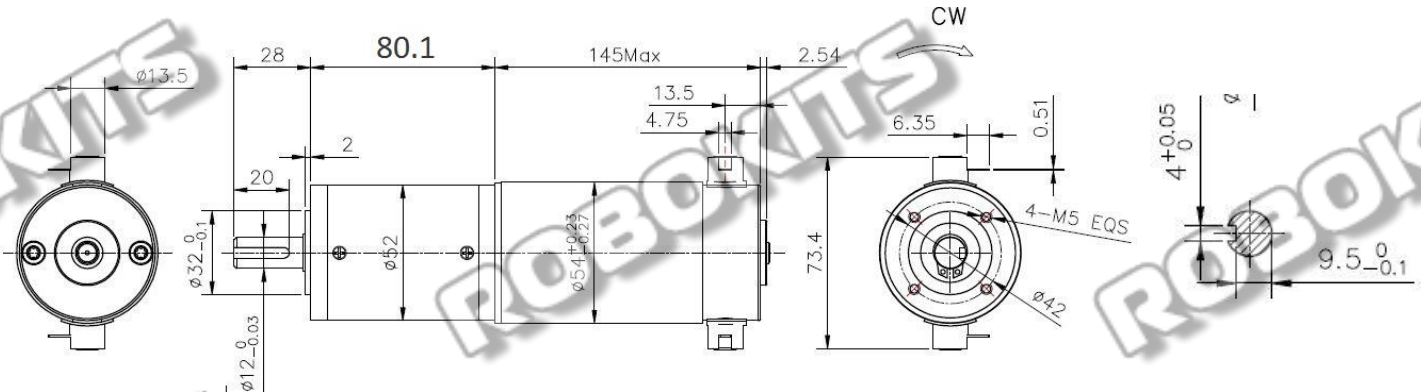


**Model Number**  
**RMCS-2080**

**Planetary Geared DC Motor 280Kgcm 25RPM 100W**

**Mechanical Drawing (Dimensions are in mm)**



**Technical specifications of Motor**

Motor Type	Planetary Geared DC Motor
Operating voltage	24V DC
Motor Speed at Output Shaft (RPM)	25RPM
Gear ratio	1 : 102
Rated Torque(Kgcm)	280Kgcm
Shaft Dia	12mm
Weight	2.0Kg

**Electrical Connections**

+VCC	RED
GND	BLK

**Base Motor Specifications**

Nominal voltage	24 VDC
No load speed	2800 RPM
Rated torque	0.35 N-m
Output power	104 W

