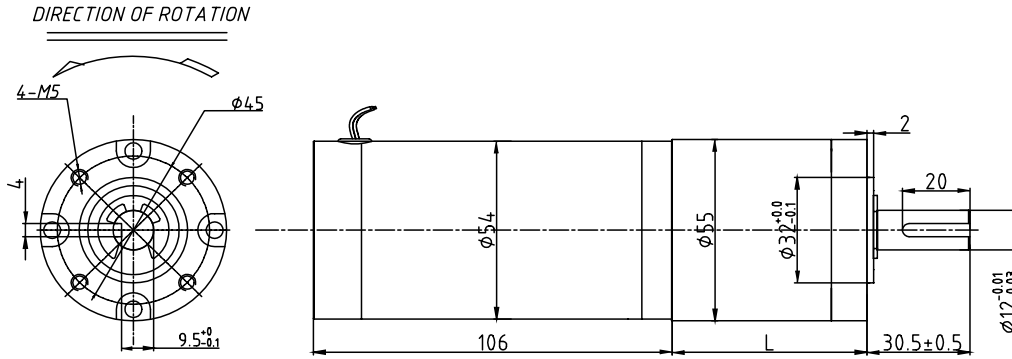


Model Number
RMCS-3090

INDUSTRIAL GRADE IG55 PLANETARY DC GEARED MOTOR
100W 60RPM 24V 80KGM

Mechanical Drawing (Dimensions are in mm)



Technical Specifications Of Motor

Motor Type	HEAVY DUTY PLANETARY GEARED MOTOR
Operating Voltage	24V DC
Motor Speed at Output Shaft	60 RPM
Stall Torque	120 Kg-cm
Rated Torque	80 Kg-cm
Gear Ratio	1:100
Weight	1620g
Gearbox Breaking Torque	200 Kg-cm

Base Motor Specifications

Nominal Voltage (V)	24 V DC
No load Speed	7000 RPM
Rated Torque	30 Kg-cm
No-load Current (A)	0.98A

