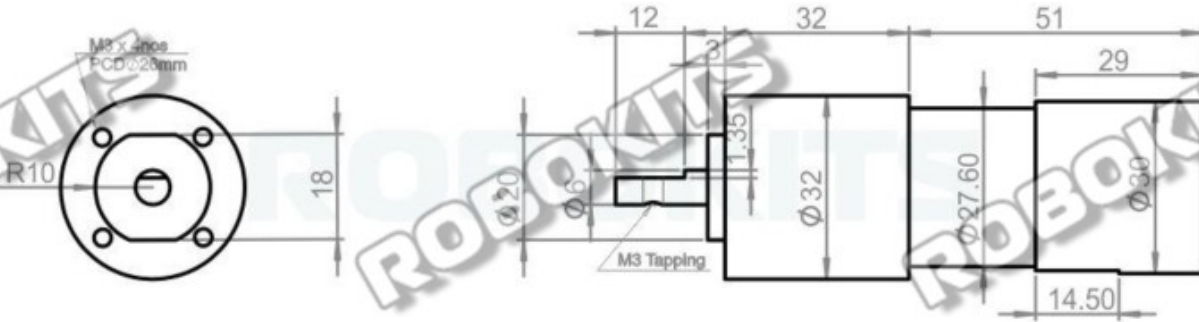


Model Number
RMCS-5032

Rhino Planetary Geared Quad Encoder 200RPM 15Kgcm DC Servo Motor

Mechanical Drawing (Dimensions are in mm)



Technical specifications of Motor

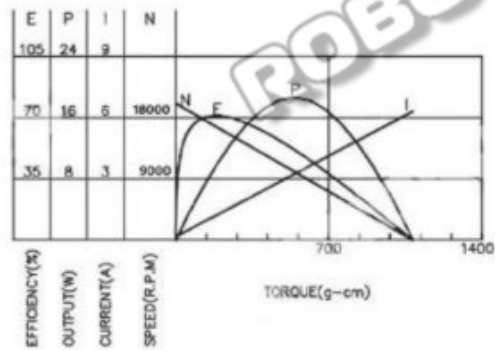
Motor Type	Planetary Geared Motor
Operating voltage	12V DC
Motor Speed at Output Shaft (RPM)	180RPM
Stall Torque(Kgcm)	60Kgcm
Rated Torque(Kgcm)	15Kgcm
Gear Ratio	1 : 100
CPR at Output Shaft of Motor	5200
Weight	300gm

Encoder Pinouts

Encoder Type	Quad Encoder
Quad Encoder	13 Hall Sensor
Base Motor-CPR	13*4=52
Red	EncA
Orange	EncB
Yellow	Motor-
Green	Motor+
Brown	+5V DC
Black	Gnd

Base Motor Specifications

Nominal voltage(V)	12V
No-Load Speed (RPM)	18000
Rated Torque (gcm)	151
No-load current (A)	0.8A
Load current(A)	up to 7.5 A(Max)



Base Motor Characteristic Graph

