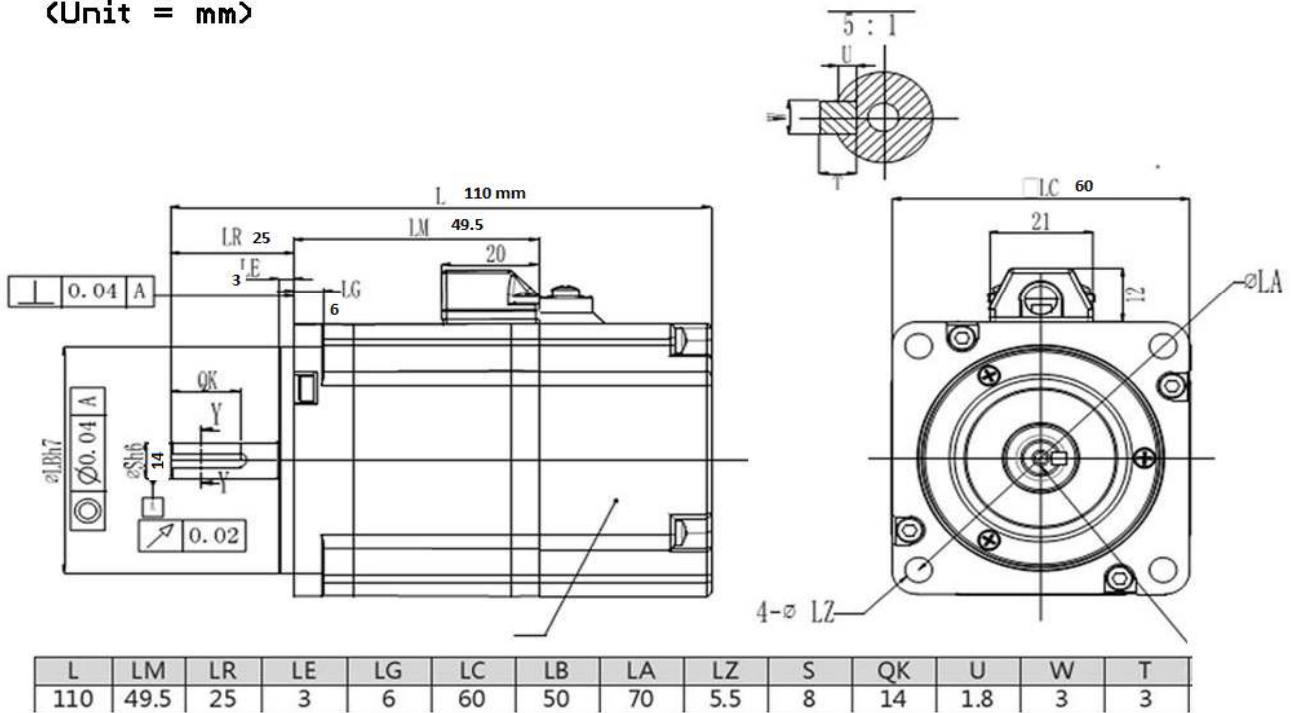


Low Voltage AC Servo Motor 200W

General Specifications		Electrical Specifications	
Number Of Poles	8	Nominal Voltage (V)	36
No. of Phase	3	No Load Current (A)	0.6
Shaft Dia (mm)	14	Rated Speed	3000 RPM
Length (mm)	135	Rated Torque (N.m)	0.63
Weight (Kg)	1.3	Rated Power(W)	200
		Rated Current(A)	7.5A

◆ **Dimensions**
(Unit = mm)



All Dimensions are in mm

RMCS -1060

9/19/2018 3:30:02 PM

Rhino Motion Controls

Sheet: 1/1