

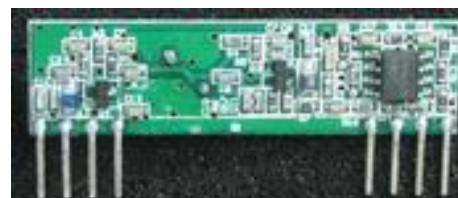
ASK Super Regenerative Receiver

ST-RX02-ASK Receiver

315/434 MHz ASK RECEIVER

General Description:

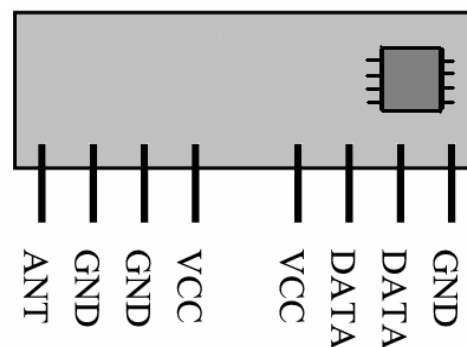
The ST-RX02-ASK is an ASK Hybrid receiver module.
A effective low cost solution for using at 315/433.92 MHz.
The circuit shape of ST-RX02-ASK is L/C.
Receiver Frequency: 315 / 433.92 MHz
Typical sensitivity: -105dBm
Supply Current: 3.5mA
IF Frequency:1MHz



Features:

- Low power consumption.
- Easy for application.
- Operation temperature range : - 20°C ~ +70°C
- Operation voltage: 5 Volts.
- Available frequency at: 315/434 MHz

Pin Description:

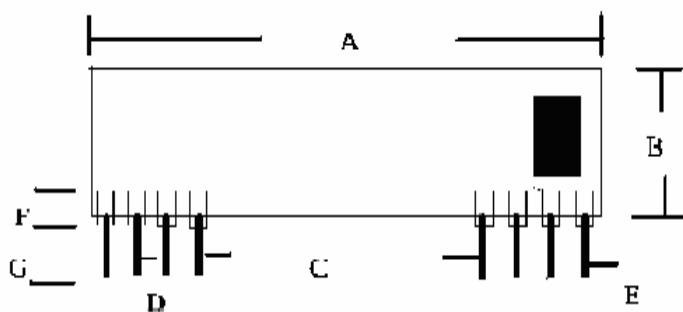


Applications

- Car security system
- Wireless security systems
- Sensor reporting
- Automation system
- Remote Keyless entry

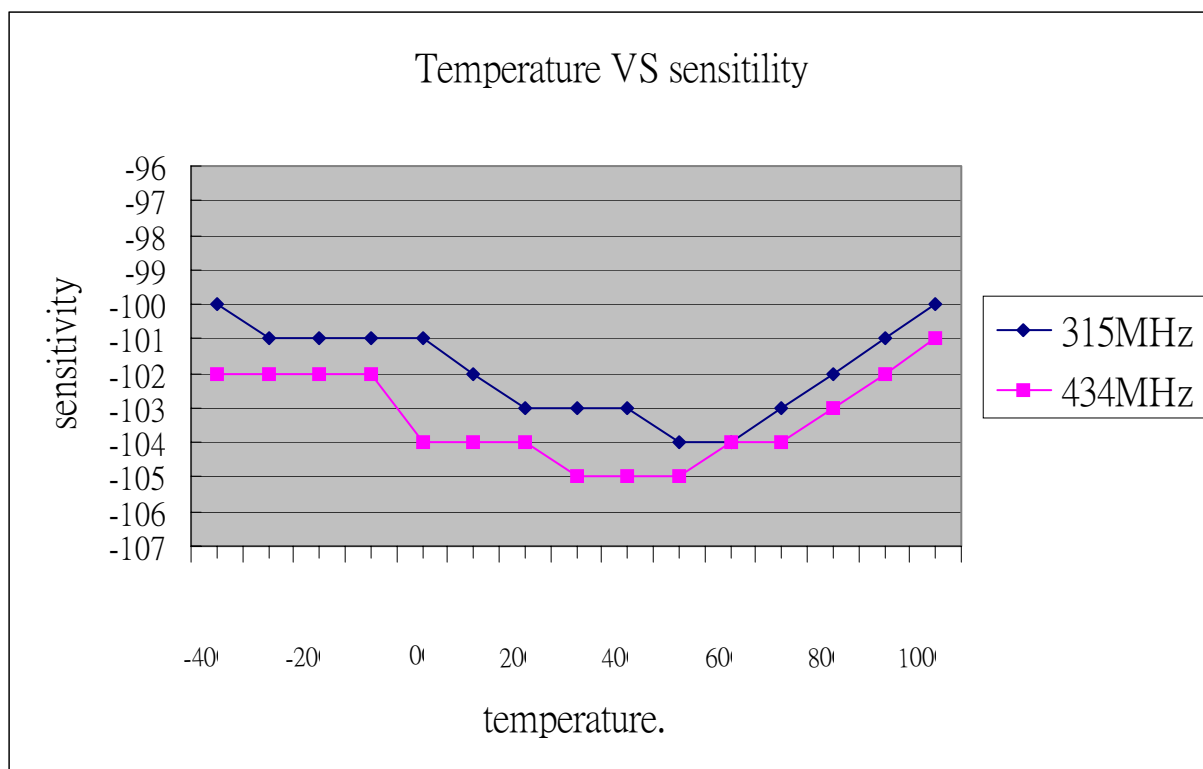
Electrical Characteristics :

CHARACTERISTIC		MIN	TYP	MAX	UNIT
V _{CC}	Supply Voltage		5		VDC
I _S	Supply Current		3.5	4.5	mA
F _R	Receiver Frequency		315/434		MHz
RF Sensitivity (V _{CC} =5V 1Kbps Data Rate)			-105		dBm
Max Data Rate		300	1k	3k	Kbit/s
V _{OH}	High Level Output (I=30uA)	0.7V _{CC}			VDC
V _{OL}	Low Level Output (I=30uA)			0.3V _{CC}	VDC
Turn On Time (V _{CC} off-Turn on)			25		ms
T _{OP}	Operating Temperature Range	-20		70	°C
Output Duty		40		60	%

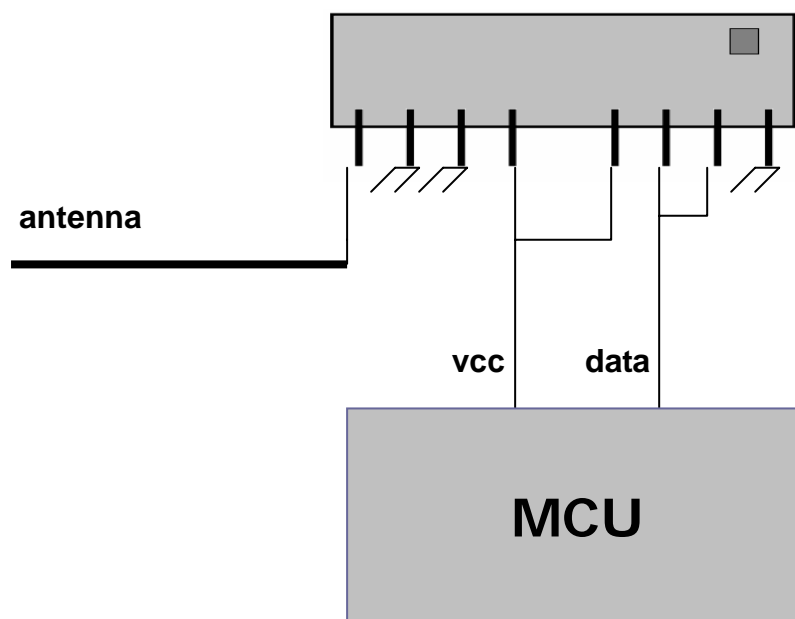
Mechanical Dimension:

Dimensions	Millimeters	Dimensions	Millimeters
A	43,5 + 0,25mm	E	2,50 + 0,15mm
B	12 + 0,25mm	G	3,50 + 0,15mm
C	25,2 + 0,30mm	H	7,2 + (MAX)
D	2,54 + 0,05mm	I	0,32 + 0,05mm
E	0,65 + 0,05mm		

Typical Characteristics



Typical Application:



Remark:

1. Antenna length about :23cm for 315MHz
17cm for 434MHz