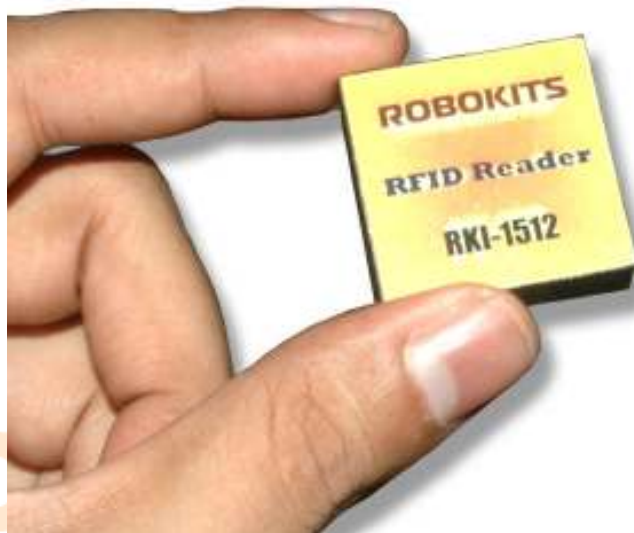


WWW.ROBOKITS.CO.IN

EASY TO USE, VERSATILE ROBOTICS KITS

ROBOKITS UART/Weigand RFID Reader [RKI-1512]



Users Manual

Robokits India

<http://www.robokits.co.in>
info@robokits.co.in

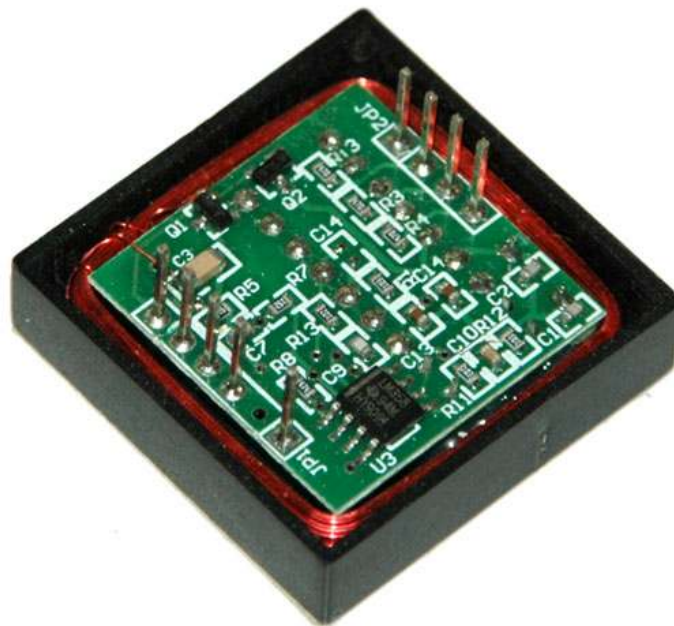
Robokits World

<http://www.robokitsworld.com>

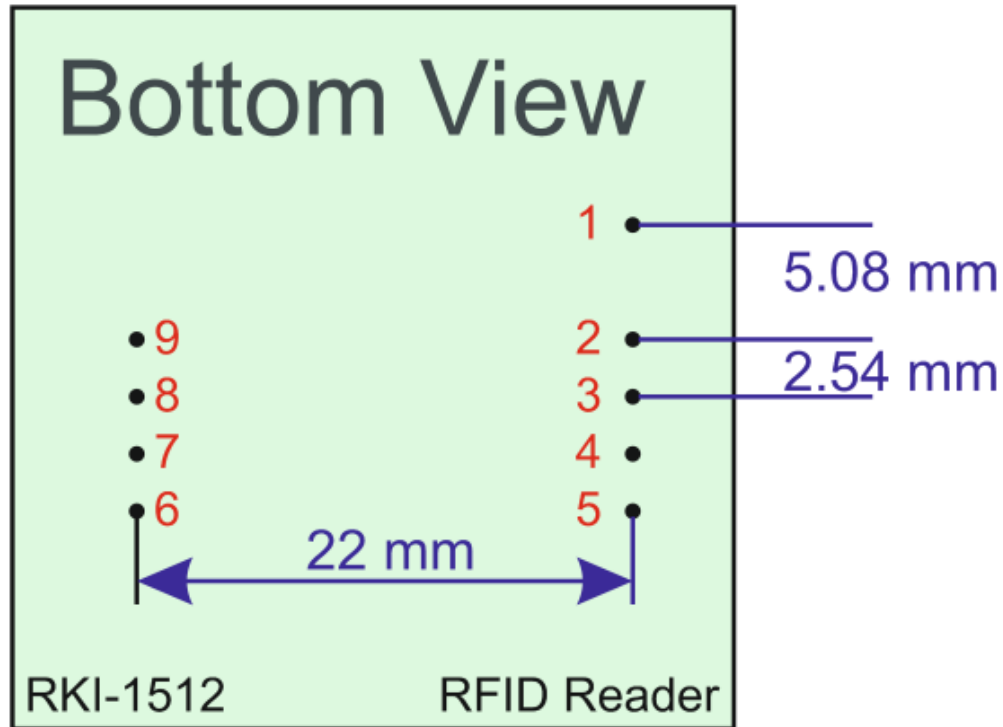
This module directly connects to any microcontroller UART or through a RS232 converter to PC. It gives UART/Wiegand26 output. This RFID Reader Module works with any 125 KHz RFID tags.

Specifications

- **5VDC through USB (External 5V supply will boost range of the module)**
- **Current: <50mA**
- **Operating Frequency: 125Khz**
- **Read Distance: 10cm**
- **Size of RFID reader module: 32mm(length) * 32mm(width) * 8mm(height)**



Pin Outs for Reader Module:



1	VCC	5V
2	GND	GND
3	BEEP	BEEP AND LED
4	NC	NOT CONNECTED
5	NC	NOT CONNECTED
6	SEL	HIGH IS UART, LOW IS WEIGAND
7	TX	UART TX
8	D1	WEIGAND DATA 1 (Optional)
9	D0	WEIGAND DATA 0 (Optional)

1. Wiegand26 (Protocol)

Bit	0	1	2	3	4	5	6	7	8	9	10	11	12	13	14	15	16	17	18	19	20	21	22	23	24	25	
Note	P	D	D	D	D	D	D	D	D	D	D	D	D	D	D	D	D	D	D	D	D	D	D	D	D	D	P
	P	E	E	E	E	E	E	E	E	E	E	E															
														O	O	O	O	O	O	O	O	O	O	O	O	O	P

Note:

E: Summed for even parity

O: Summed for odd parity

P: Parity (even or odd)

D: Data code for card: the data will use the last 24 data bits of card

2. RS232 interface format:

10 ASCII DATA (card no.)+ 2 ASCII DATA (XOR result)

E.g. Card number is 4500C5D1E9B8 read from reader then the card number on card will be as below.

45 - Preamble

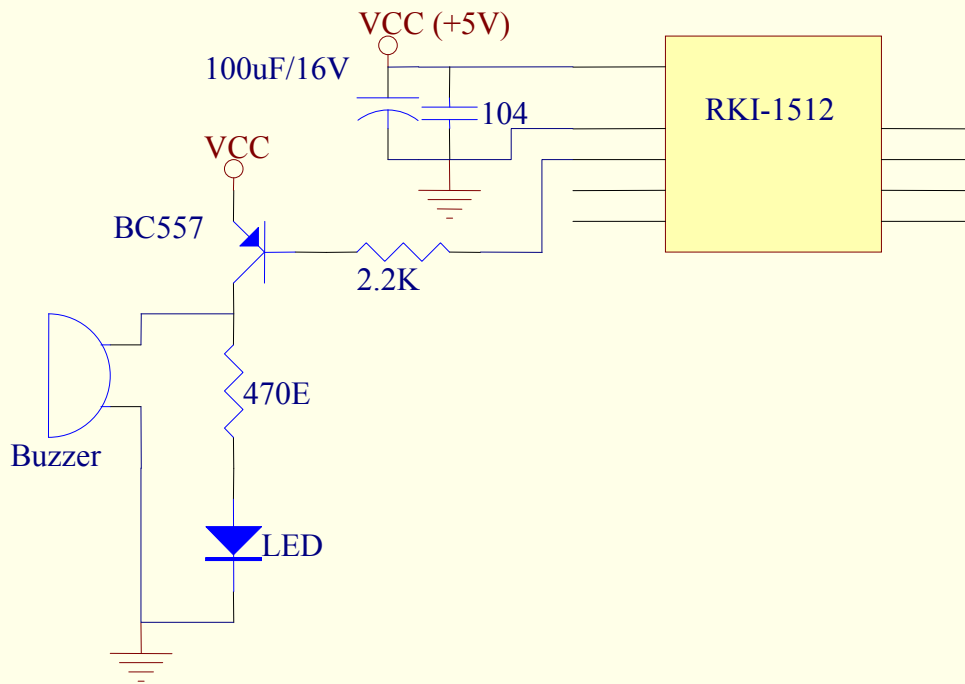
00C5D1E9 value in Hex = 12964329.

B8 is XOR value for (45 XOR 00 XOR C5 XOR D1 XOR E9)

Hence number on the card is 0012964329.

- 1. Data baud rate: 9600 bps**
- 2. Data bit: 8 bits**
- 3. Parity check: None**
- 4. Stop bit: 1**

Application Circuit:



Note : Connect GND & TX to UART port of MCU or PC.

Service and Support

Service and support for this product are available from Robokits India. The Robokits Web site (<http://www.robokits.co.in>) maintains current contact information for all Robokits products.

Disclaimer

Copyright © Robokits India, 2008

Neither the whole nor any part of the information contained in, or the product described in this manual, may be adapted or reproduced in any material or electronic form without the prior written consent of the copyright holder.

This product and its documentation are supplied on an as-is basis and no warranty as to their suitability for any particular purpose is either made or implied.

This document provides preliminary information that may be subject to change without notice.

ROBOKITS.CO.IN